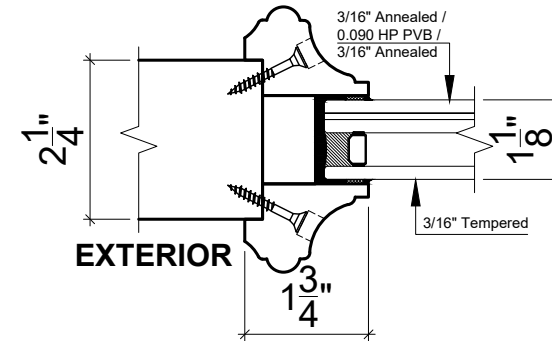
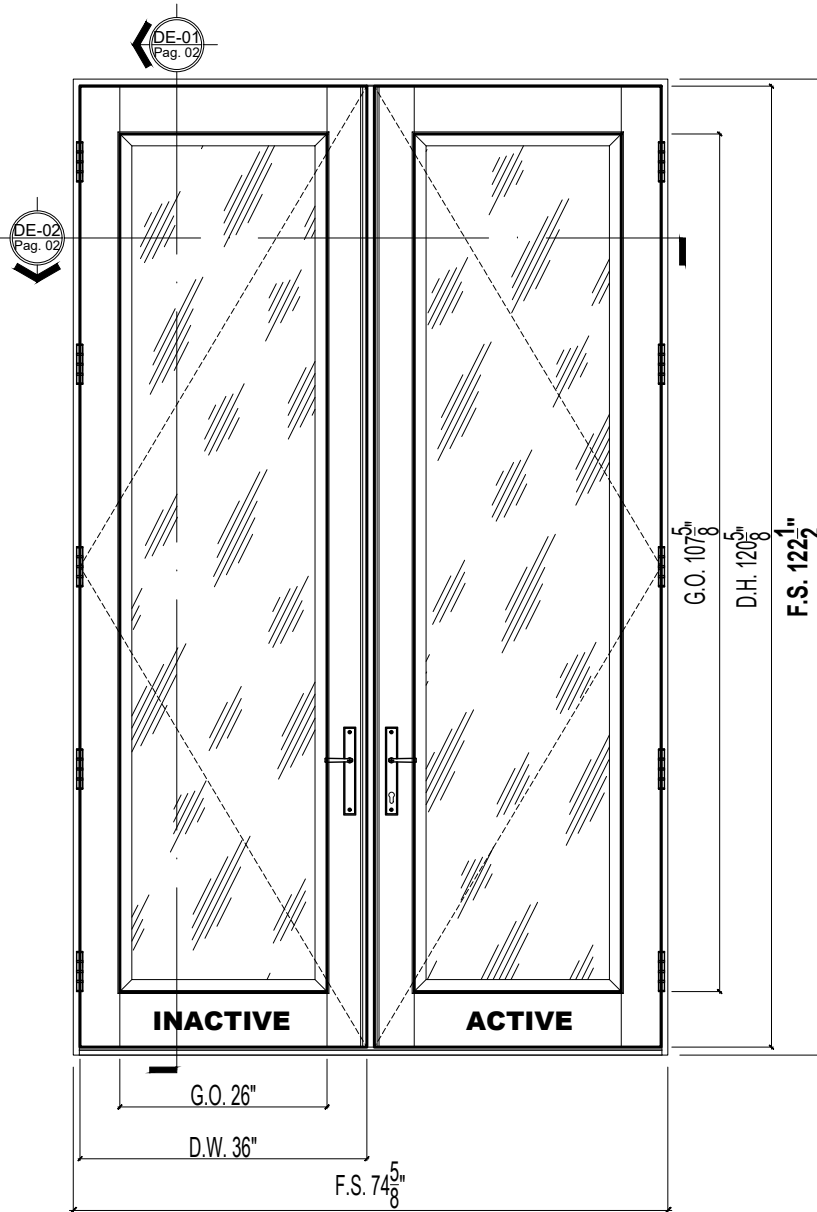


# FBC - 10' Outswing Glazed Wood Doors

Exterior Elevation



## 10'0 OUTSWING GLAZED WOOD DOORS

In compliance with the Florida Building Code  
for HVHZ [FL11217-R2](#)

- Thickness: 2 1/4"
- Jamb Depth: 6 9/16"
- Glass: 1 1/8" O.A. Laminated glass  
impact glazing
- Hardware: Hinges 5" x 5" by Hager  
KFV multipoint Lock,  
Sill by Columbia
- Wood: Mahogany

