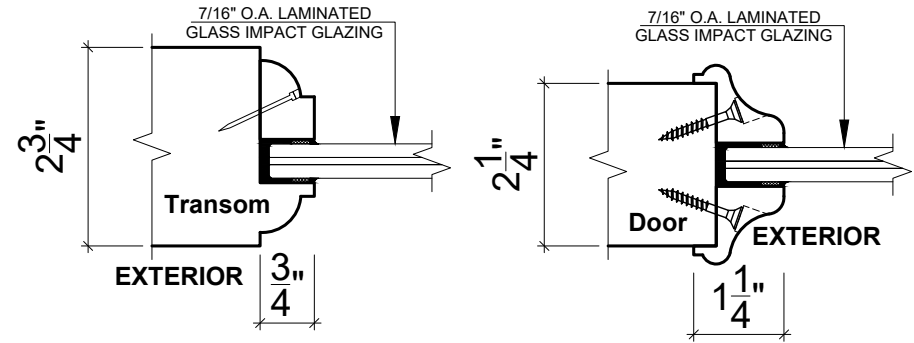
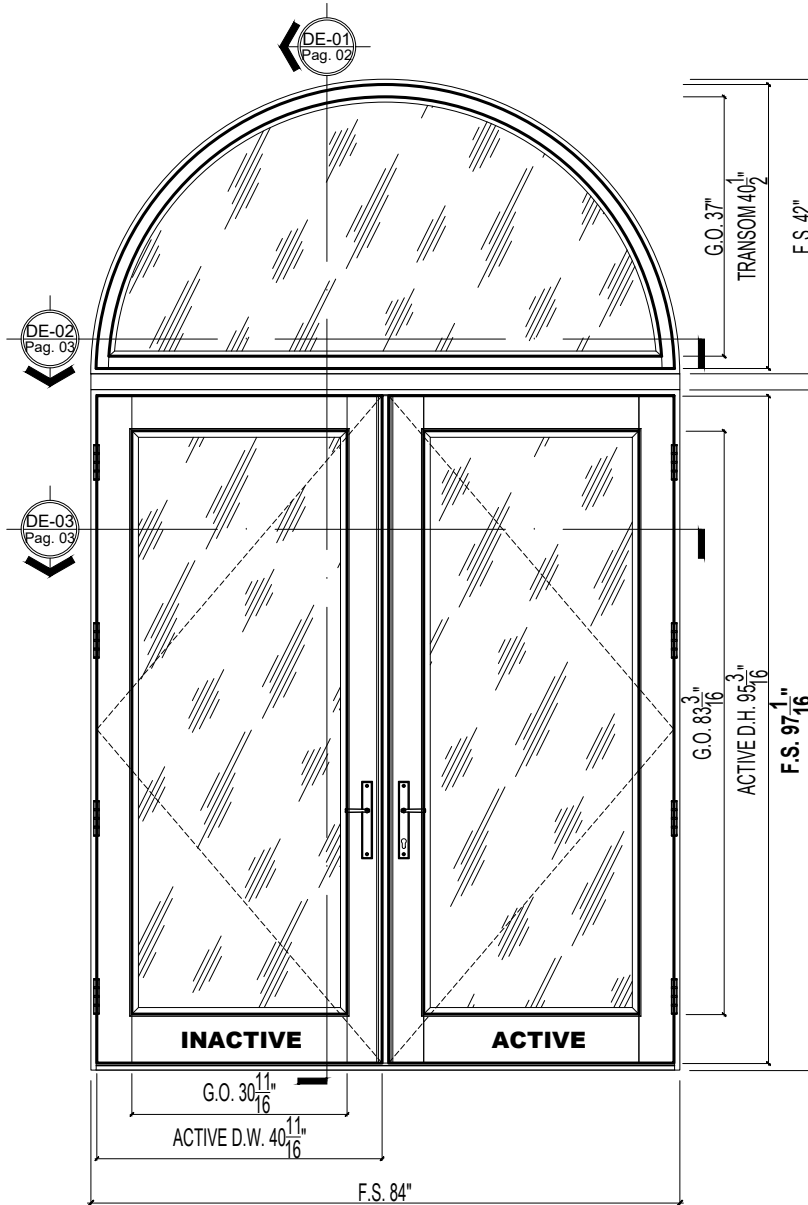


FBC - 8' Outswing Glazed Wood Doors w/ Transom

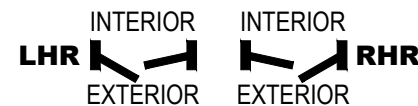
Exterior Elevation



8'0 OUTSWING GLAZED WOOD DOORS W/ TRANSOM

In compliance with the Florida Building Code
for HVHZ [FL11217-R2](#)

- Thickness: Doors: 2 1/4"
Transom: 2 3/4"
- Jamb Depth: 4 9/16"
- Glass: 7/16" O.A. Laminated glass
impact glazing
- Hardware: Hinges 5" x 5" by Hager
KFV multipoint Lock,
Sill by Columbia
- Wood: Mahogany





FBC - 8' Outswing Glazed Wood Doors w/ Transom

Assembly details

