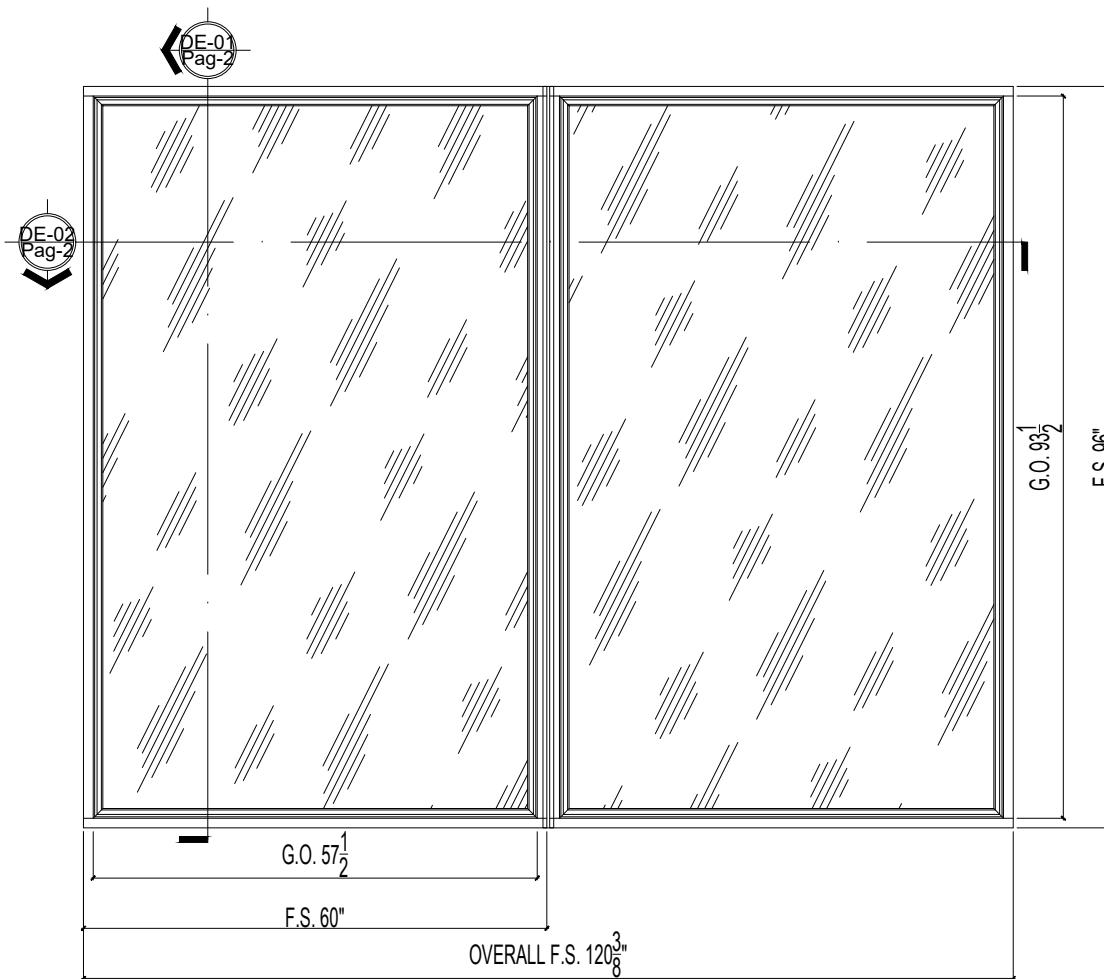




FBC - Twin Direct Set Window (Fixed)

Exterior Elevation



Twin Direct Set Windows (Single Glass)

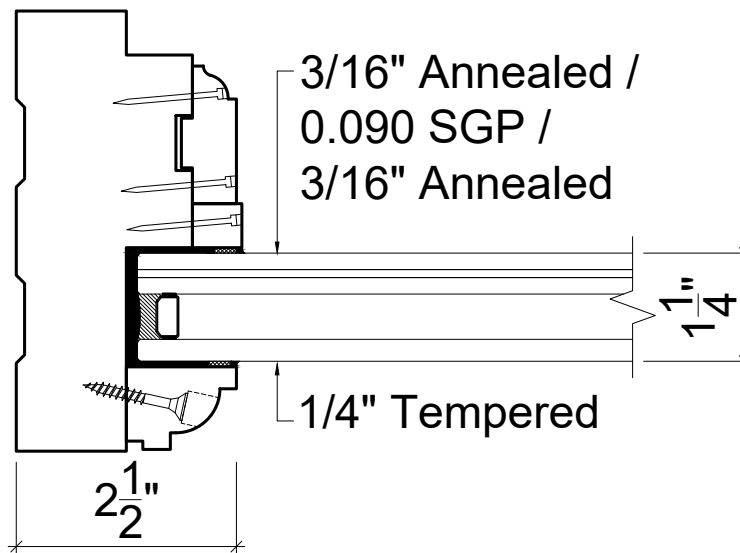
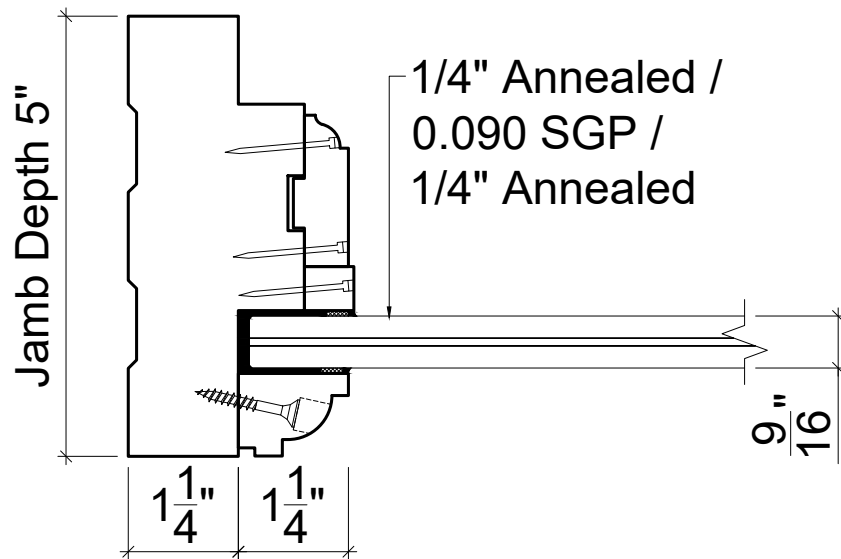
In compliance with the Florida Building Code
for HVHZ [FL17587-R1](#)

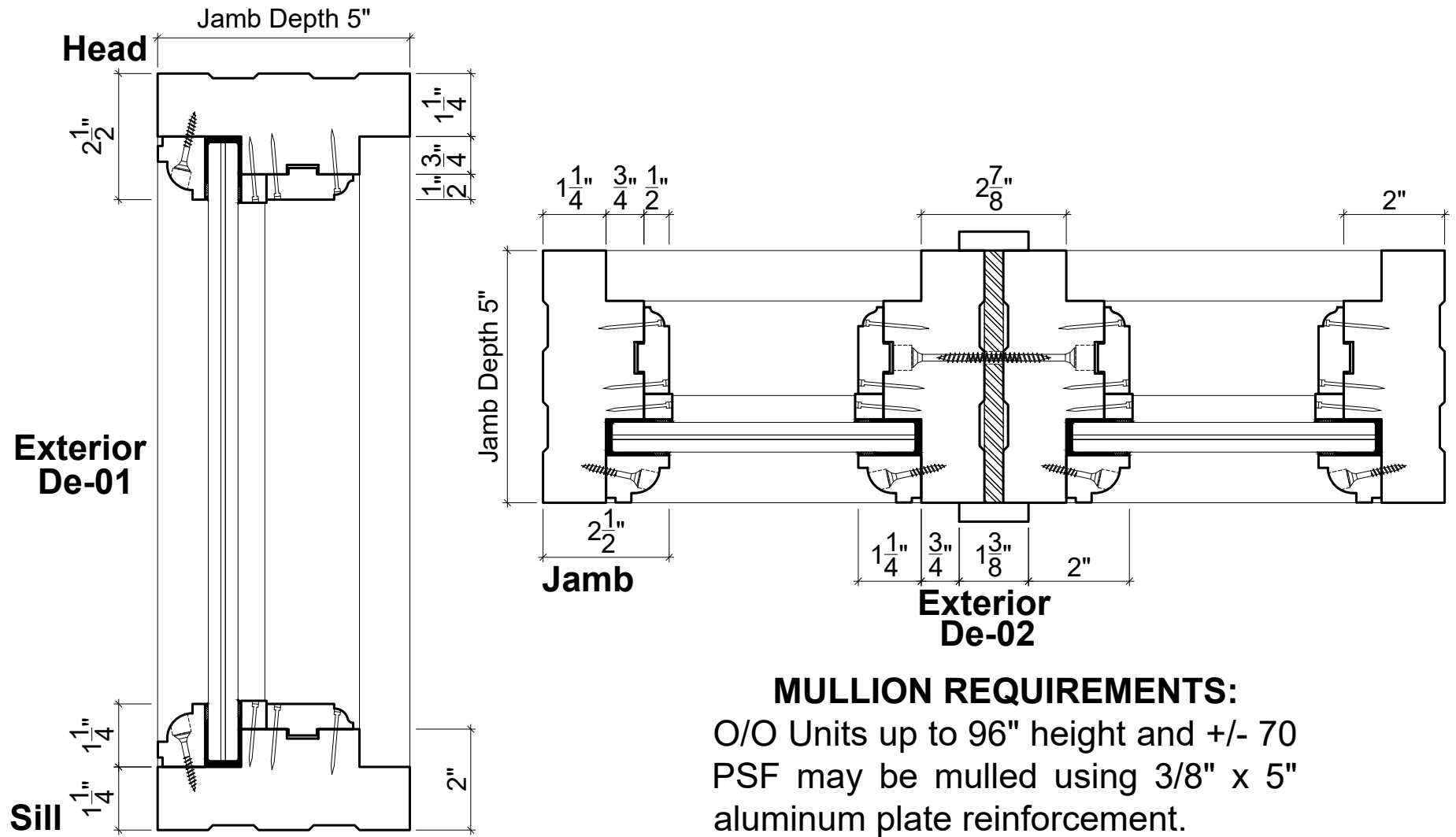
Jamb Depth: 5"
Glass: 9/16" O.A. Laminated glass
impact glazing
Hardware: N/A
Wood: Mahogany



FBC - Twin Direct Set Window (Fixed)

Glazing Options





MULLION REQUIREMENTS:

O/O Units up to 96" height and +/- 70 PSF may be mullied using 3/8" x 5" aluminum plate reinforcement.