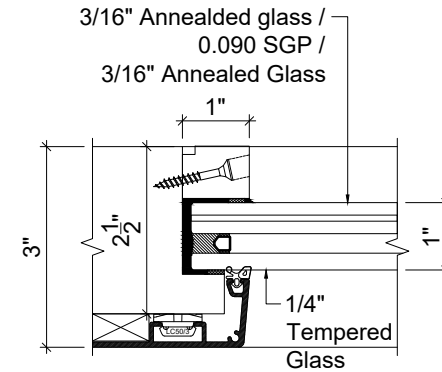
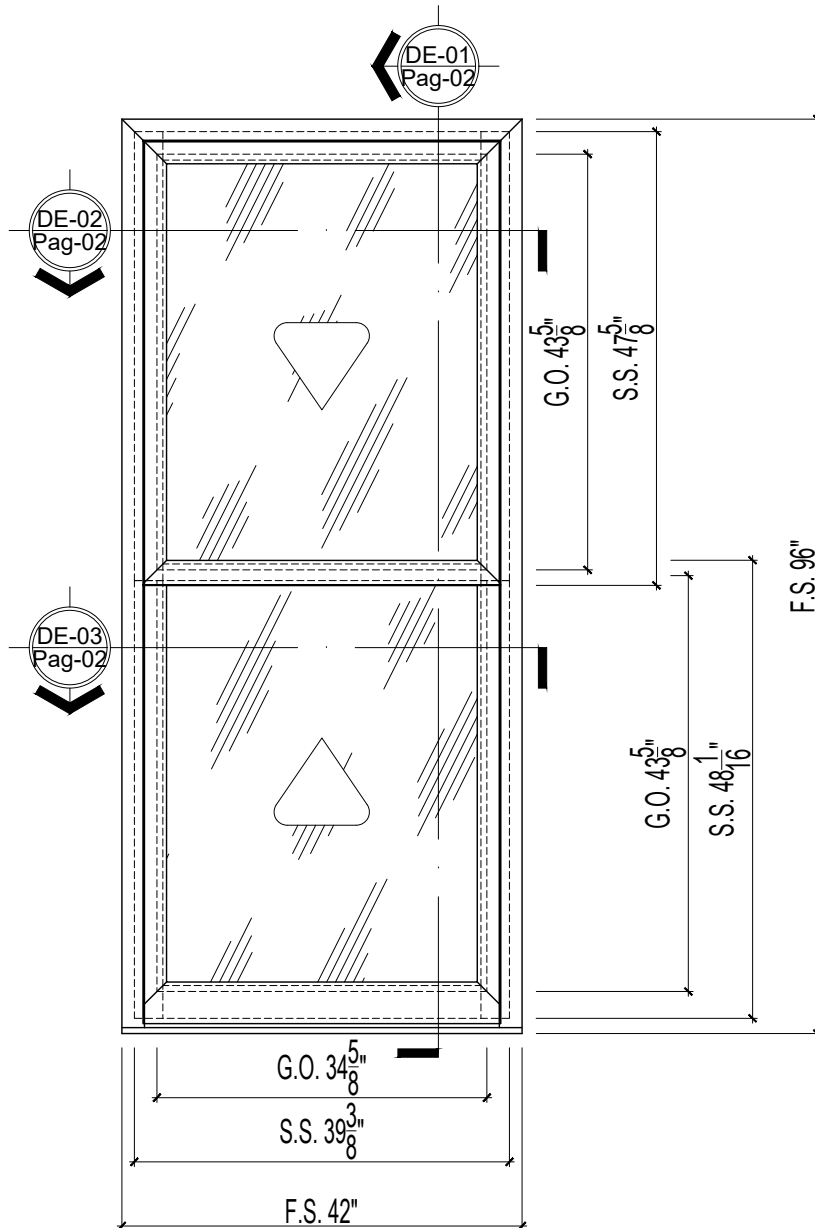


# FBC Double Hung Window (Clad)

Exterior Elevation



## DOUBLE HUNG WINDOW NARROW FRAME

In compliance with the Florida Building Code  
for HVHZ FL16750-R1

- Thickness: Wood 2 1/2"  
Overall 3"
- Jamb Depth: 8"
- Glass: 1" O.A. Laminated IG
- Hardware: Concealed Balances by  
Strybuc, Sash Lock  
& Sash Lift by Phelps
- Wood: Mahogany
- Clad: Exterior Aluminum Clad



# FBC Double Hung Window (Clad)

## Assembly details

