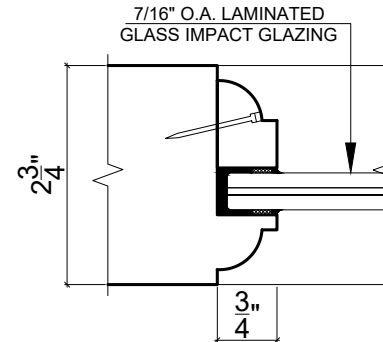
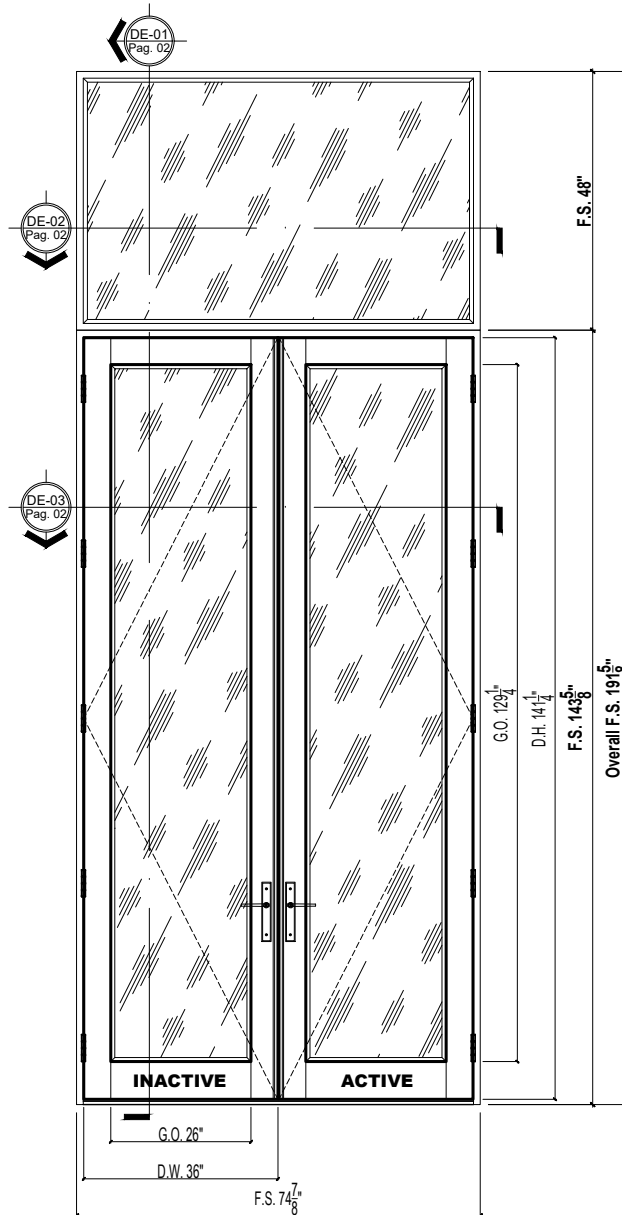


# FBC - Outswing Glazed Door w/ Transom

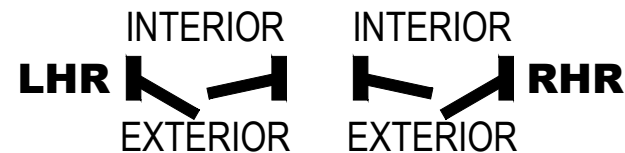
Exterior Elevation



## OUT SWING GLAZED WOOD DOORS W/ TRANSOM

In compliance with the Florida Building Code  
for HVHZ [FL11217-R2](#)

- Thickness: 2 3/4" Doors
- Jamb Depth: 6 1/2"
- Glass: 7/16" O.A. LAMINATED GLASS  
IMPACT GLAZING
- Hardware: Hinges 5" x 5" by Hager  
KFV multipoint Lock,  
Sill by Columbia
- Wood: Mahogany



# FBC - Outswing Glazed Door w/ Transom

Assembly details

