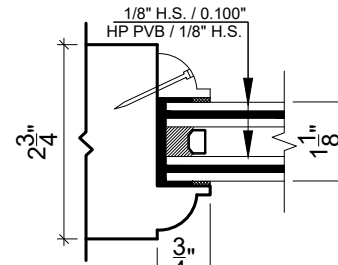
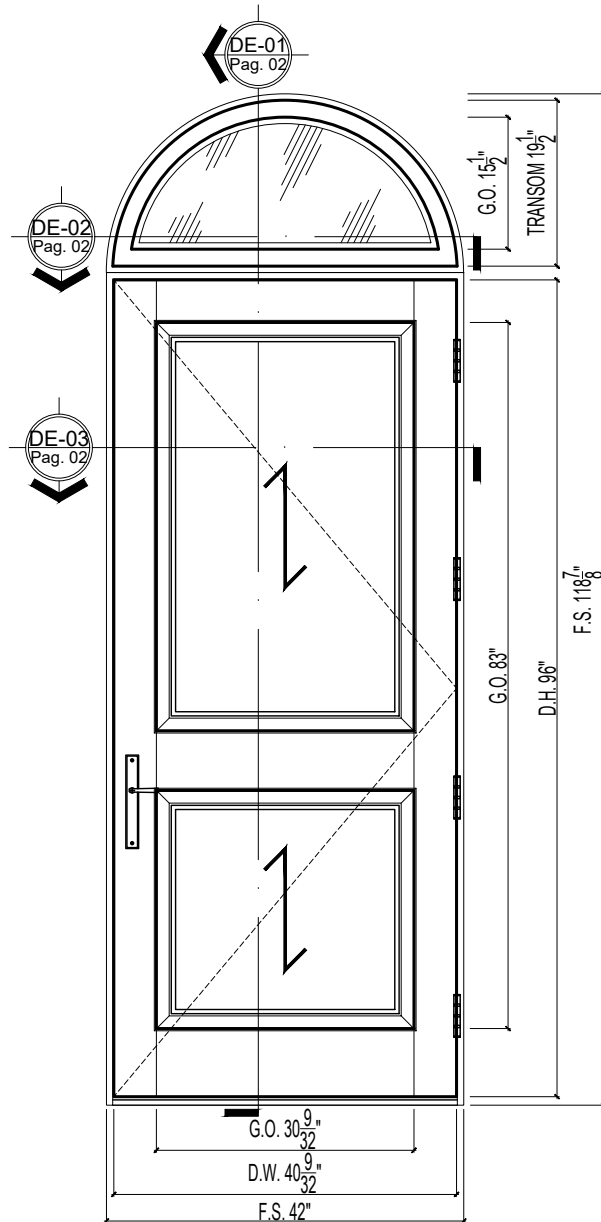
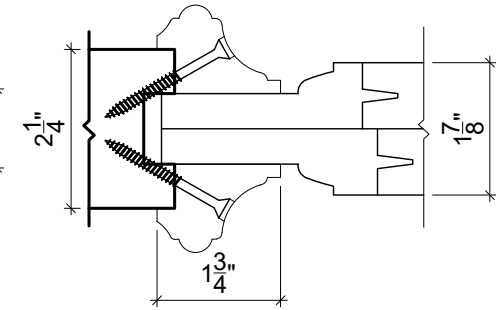


8'0 OUTSWING SINGLE PANEL DOOR W/TRANSOM

Exterior Elevation



EXTERIOR



EXTERIOR

8'0 OUTSWING SINGLE PANEL DOOR WITH TRANSOM

In compliance with the Florida Building Code
for HVHZ [FL11217-R2](#)

- Thickness: 2 1/4" Door / 2 3/4" Transom
- Jamb Depth: 4 9/16"
- Panel Door: 1 7/8"
- Glass Trans: 1 1/8" O.A. Laminated Glass
Impact glazing
- Hardware: Hinges 5" x 5" by Hager
KFV multipoint Lock,
Sill by Columbia
- Wood: Mahogany

