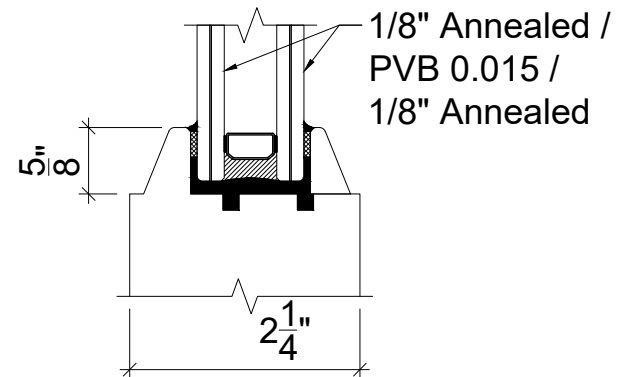
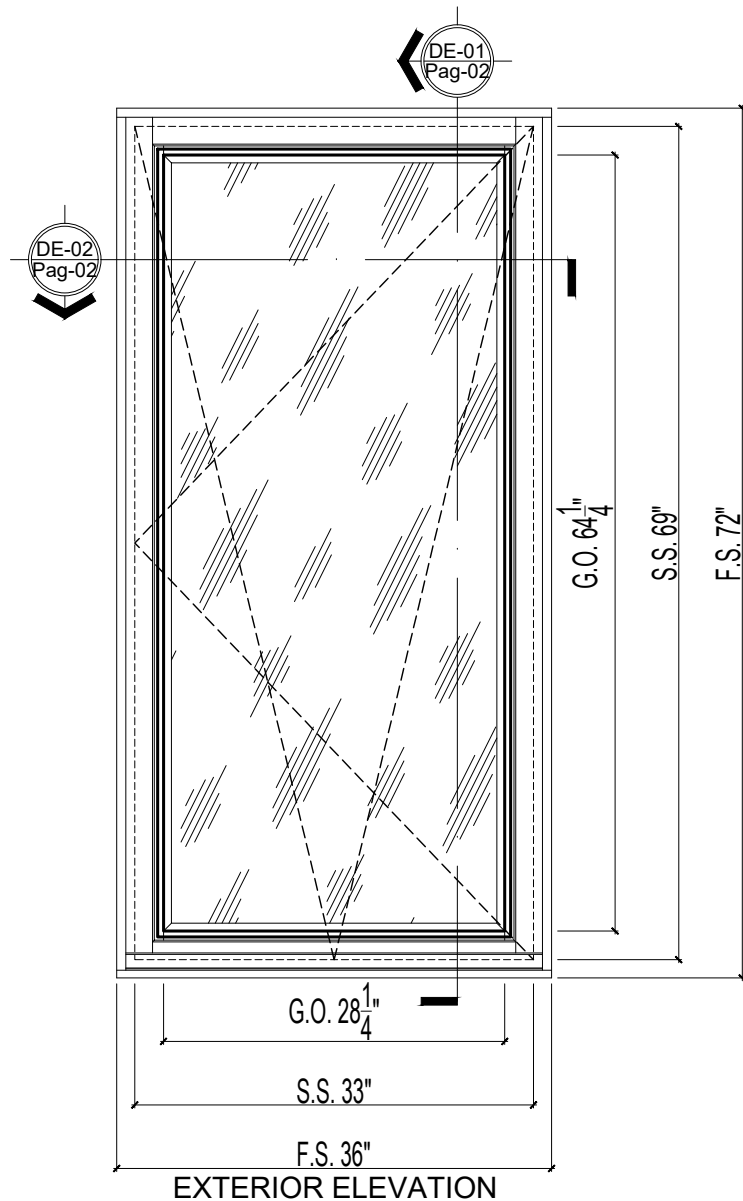


Contemporary Tilt & Turn Window

Exterior Elevation



Contemporary Tilt & Turn Windows Window

Thickness: 2 1/4"
 Jamb Depth: 5 3/4"
 Glass: 1" O.A. Laminated IG
 Hardware: Tilt & Turn System by
 Siegenia
 Wood: Mahogany

