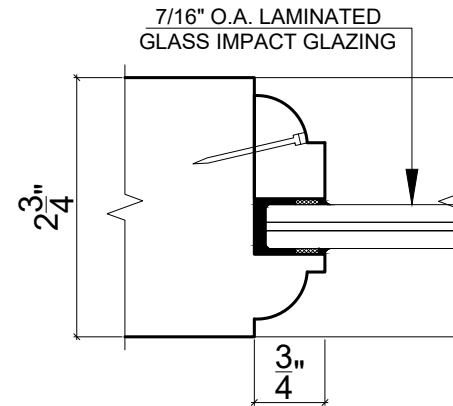
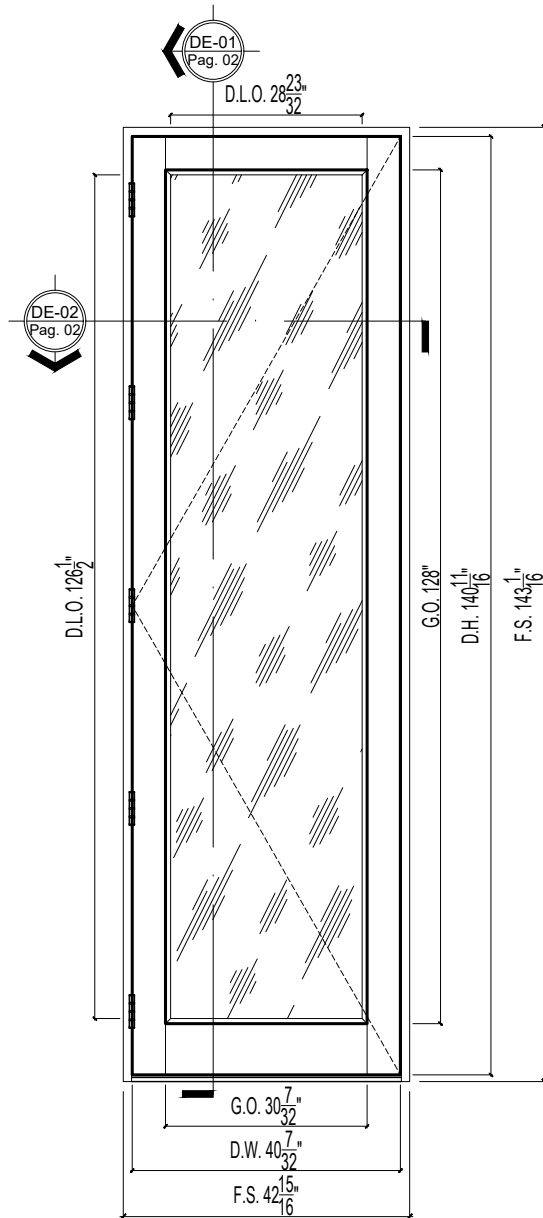


# FBC - Single Outswing Glazed Wood Door

Exterior Elevation



## SINGLE OUTSWING GLAZED WOOD DOOR

In compliance with the Florida Building Code  
for HVHZ [FL11217-R2](#)

- Thickness: 2 3/4" Doors
- Jamb Depth: 6 1/2"
- Glass: 7/16" O.A. LAMINATED GLASS  
IMPACT GLAZING
- Hardware: Hinges 5" x 5" by Hager  
KFV multipoint Lock,  
Sill by Columbia
- Wood: Mahogany

