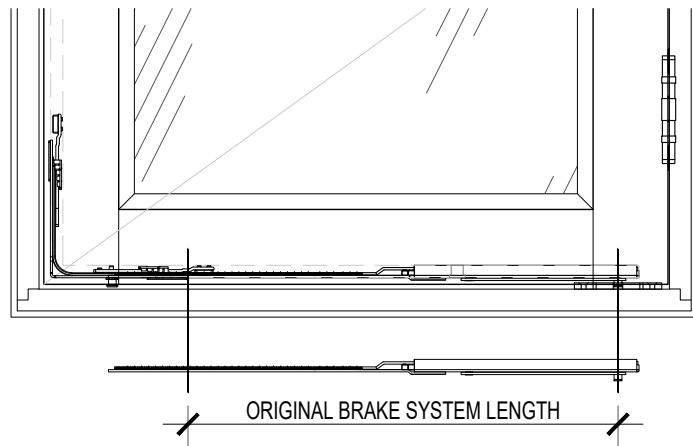
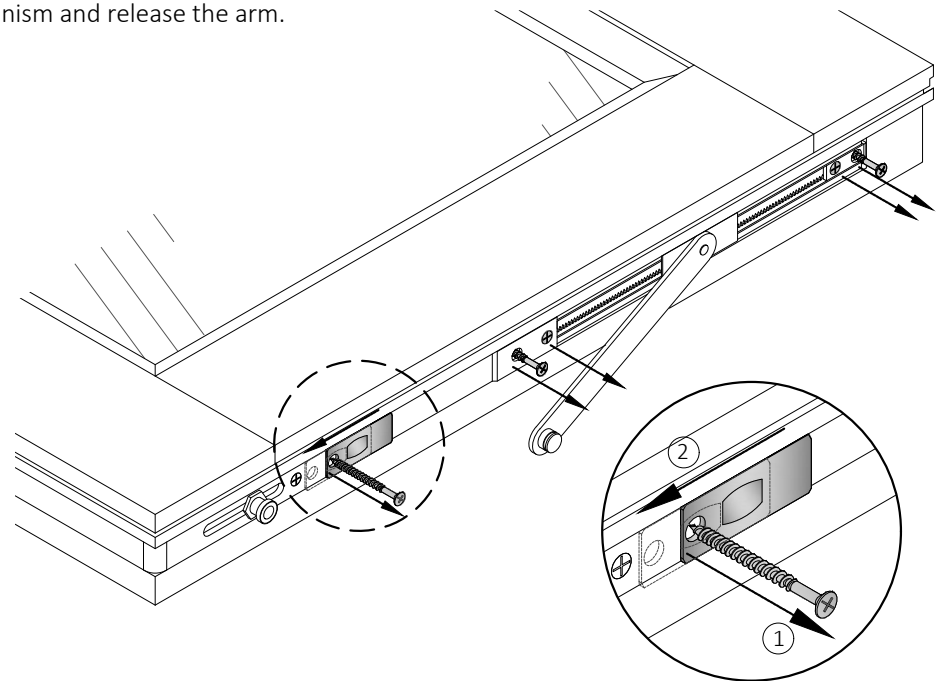
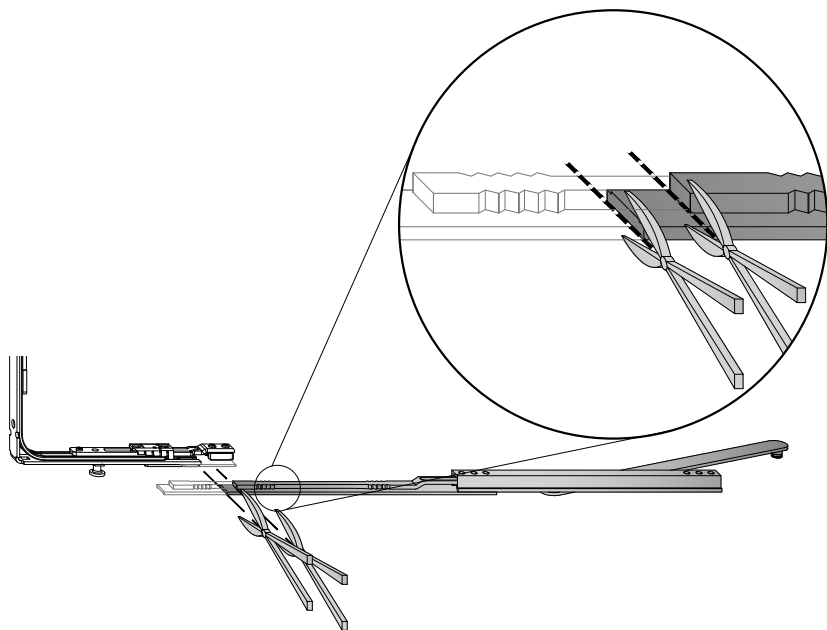


Fully open the casement window and reveal a small hole with the shape of an Allen wrench (hex key) next to the hinge arm; this is the safety for the arm. Use an Allen wrench to lose the safety mechanism and release the arm.

Remove all the screws shown in the image to release the brake system. Make sure to slide the MP safety tab ash shown in the image. Take the brake system off the sash.

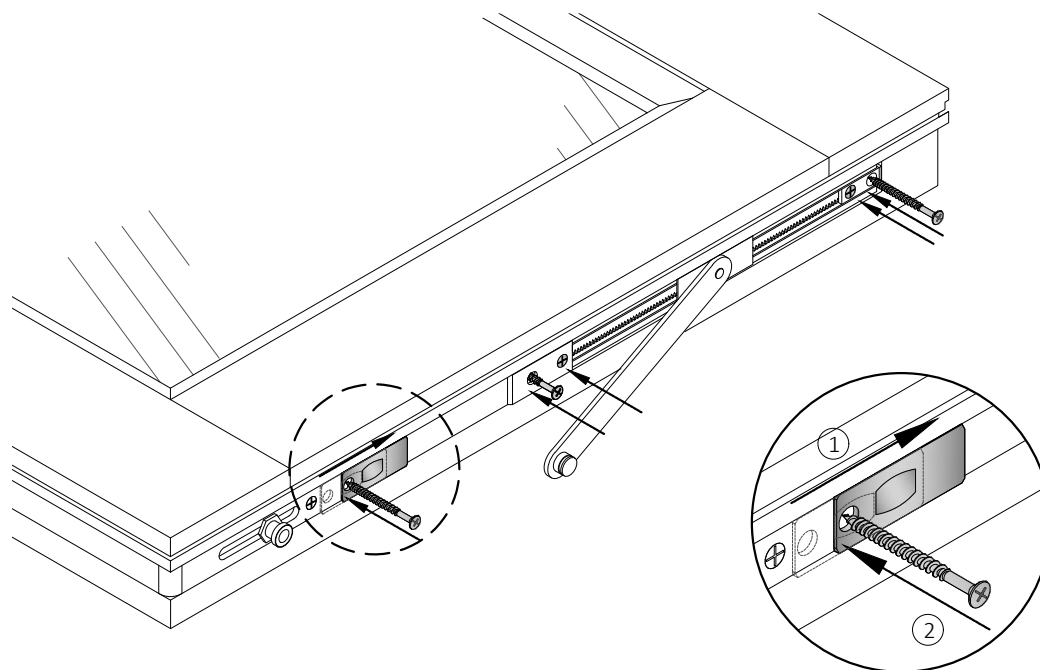


Put the new brake system next to the old one. Mark the new one to have exactly the length of the old one.



Trim the new brake system exactly like the old one. Use a hacksaw to cut off the metal pieces; trail and cover must be cut like the brake system piece that was on the sash.

Put the new brake system in place and secure it with the same screws that had the original. Remember to slide back the MP safety tab to place that screw in place.



To complete the process, place the hinge arm back in place into the window jamb and secure it with the safety pin (turning it with an Allen wrench).